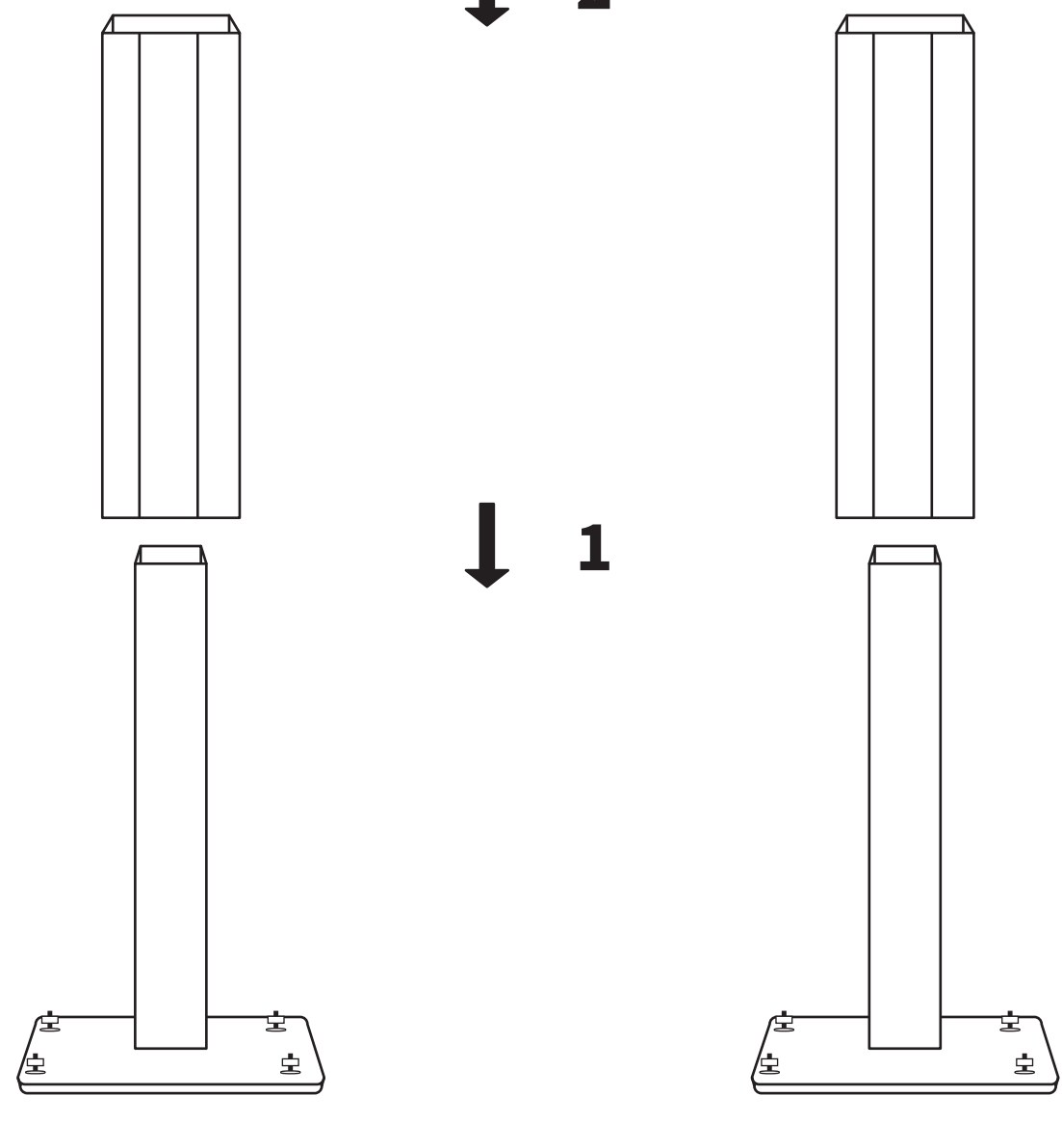
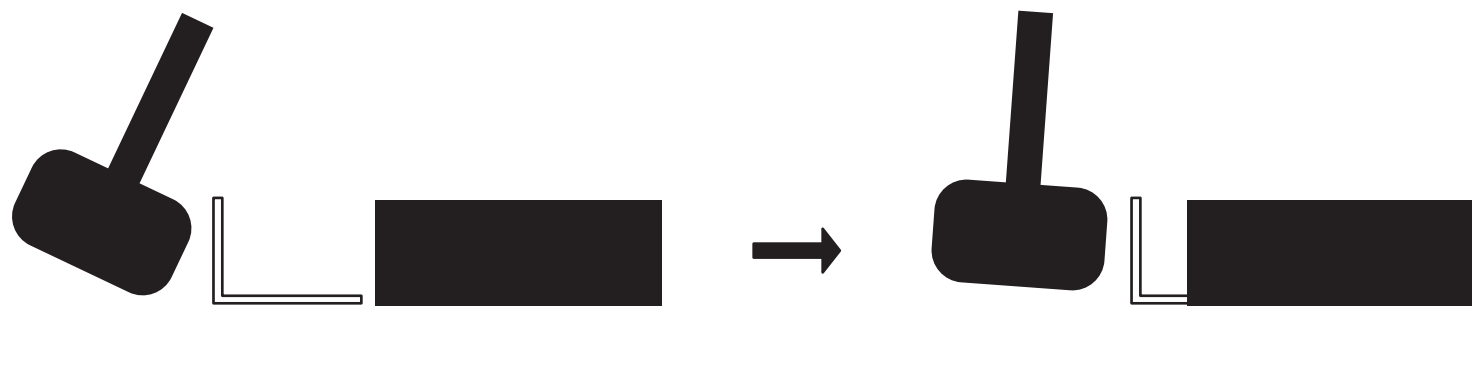


Choose a flat and solid ground, measure the distance between the iron feet and fix them with expansion screws.



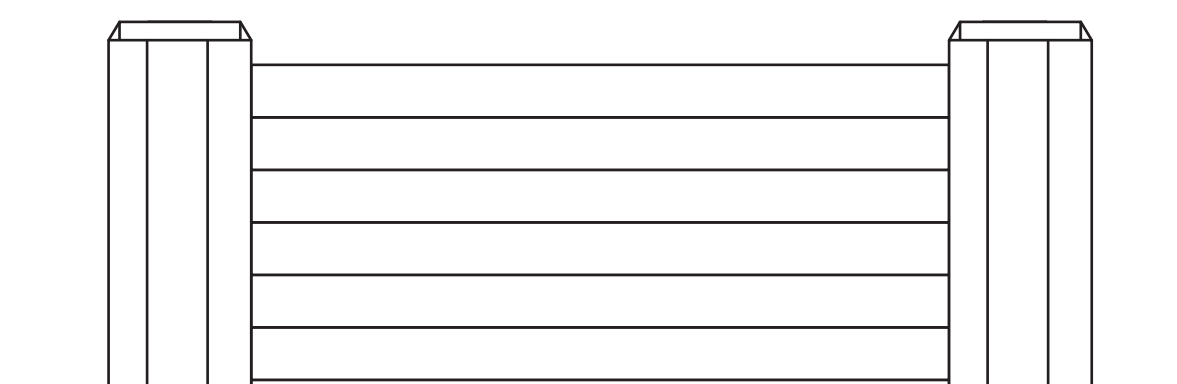
Insert the aluminum post and post cover onto the iron feet in sequence.



Insert the corner braces into the groove at the ends of the bottom cover, ensuring the bottom cover's groove faces upward and the corner braces also face upward.



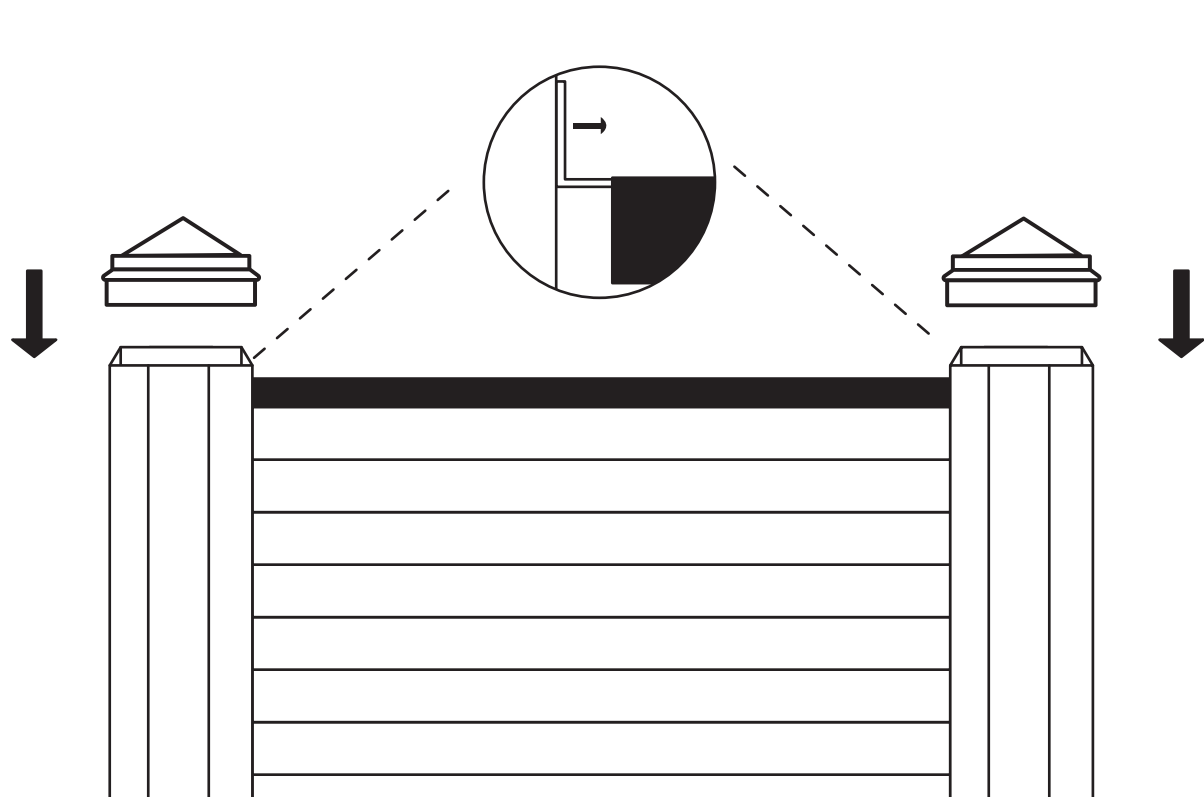
The protruding section of the corner brace must be secured with screws into the post groove.



Insert the fence panels one by one with the protruding sections facing downward.



Insert the corner braces into the groove at the ends of the top cover, ensuring the top cover's groove faces downward and the corner braces face upward.



The protruding section of the corner brace must be secured with screws into the post groove and place the post cap on the post.